

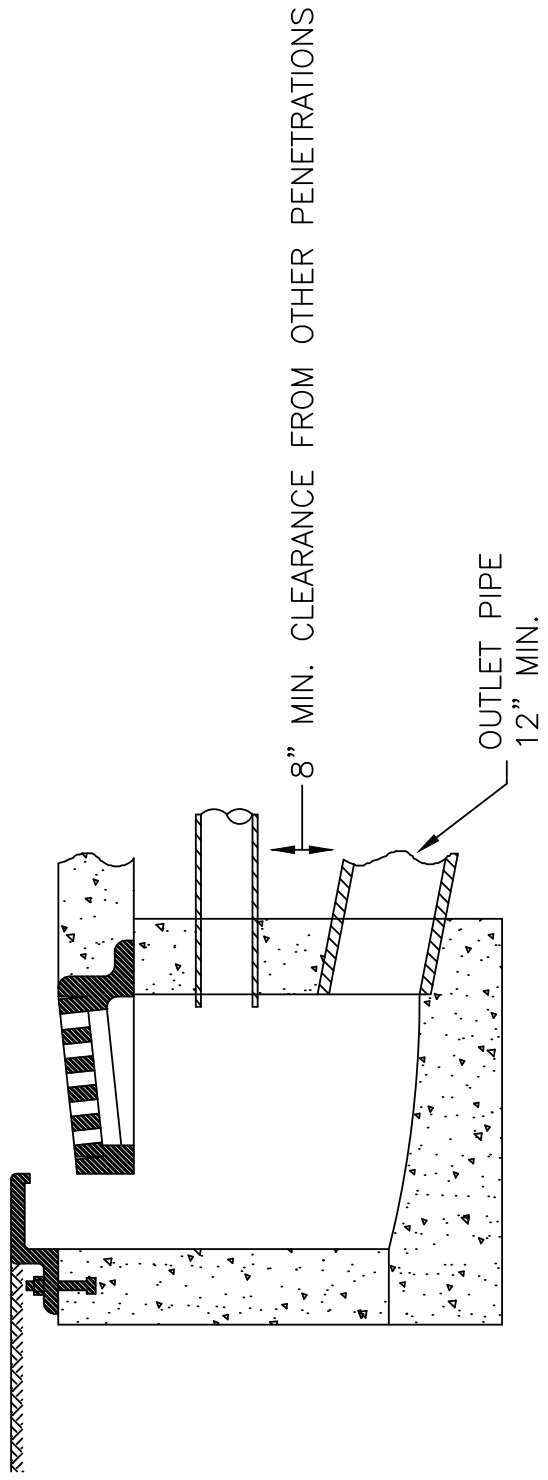
Revision
DATE:
04/13/2021

A Division of Greater Cincinnati Water Works
STORM WATER
C I N C I N N A T I
M A N A G E M E N T U T I L I T Y

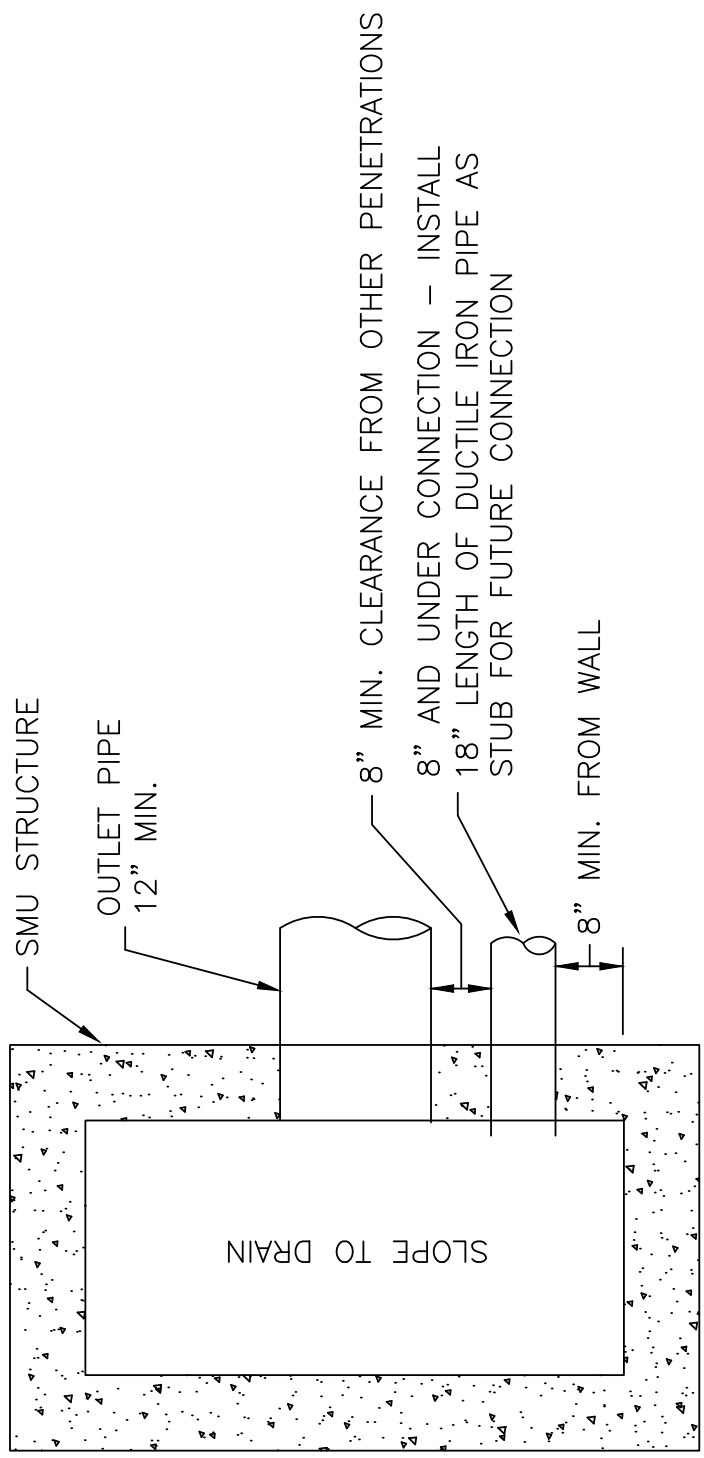


City Stormwater Management Engineer

Approved
Eric Sawyer
to SMU Structure - 120340
Standard 8" and Under Connection
and Under Connection



TYPICAL PROFILE



TYPICAL PLAN

General SMU Notes

1. Inlet chambers shall be precast or made from concrete block in accordance with latest ODOT CMS and City Supplement specifications.
2. All structures must meet standard inside dimensions.
3. Block chambers shall be made from solid slab blocks.
4. Mortar joints shall be a minimum of 3/8".
5. Block walls shall be skim coated with a minimum 1/8" mortar.
6. Casting shall be set in a bed of mortar.
7. Block floors are not permitted.
8. Precast box shall be set on a bed of 6" compacted #57 stones with the floor poured to match flow lines.
9. Concrete floors shall be a minimum of 6" thick.
10. Precast walls shall be a minimum 6" thick.
11. All risers shall be sealed with 2 rows of Con-seal. One interior and one exterior.
12. Pipes shall not enter within 8" of an inside corner.
13. Outlet pipe shall be flush with wall or protrude no more than 1".
14. For incoming conduits with diameter of 8" and smaller see Acc. # 120340.
15. For standard casting, see Acc. # 49017.
16. For standard reinforcing steel notes see Acc. # 49010I.
17. Inlet connections in a cone section are not permitted.
18. No more than 2 inlet connections spaced 2'+/- apart horizontally in a 3' or 4' manhole section.
19. Hubs inside of any structure are not permitted.
20. All reinforcing bars shall clear interior face of wall by 2".
21. For installation of risers, a 1" tolerance in either direction is permitted.
22. Protrusions for inlet pipes shall be a minimum of 1" and a maximum of 2".

23. All pipes shall be set in a bed of mortar, dry fitting is not permitted.
24. Pipe edges shall be smooth. No jagged edges are permitted.
25. Shop drawings for precast structures must be approved prior to work commencing.
26. No knockouts are permitted.
27. No steps are permitted.
28. All penetrations shall be manufactured or cored and shall not exceed 4" greater than the conduit's outside diameter.
29. Shims are not permitted.

Standard 8" and Under Connection

1. Connections to a ductile iron stub shall be made with a FERNCO or other approved coupling.
2. Provide a stopper plug and seal stub end if not connecting at the time of construction.
3. An approved gasket material shall be installed between the structure and the conduit.

